

Absolute Maximum Ratings

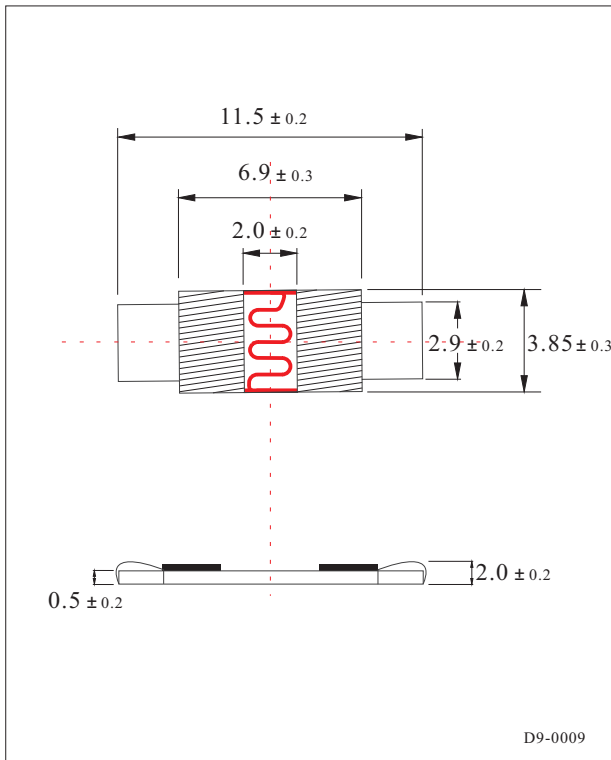
Parameter	Value	Unit
Max DC Voltage Applied	100	V
Max Power Dissipation at 25°C	70	mW
Ambient Temperature	-20 ~ 60	°C



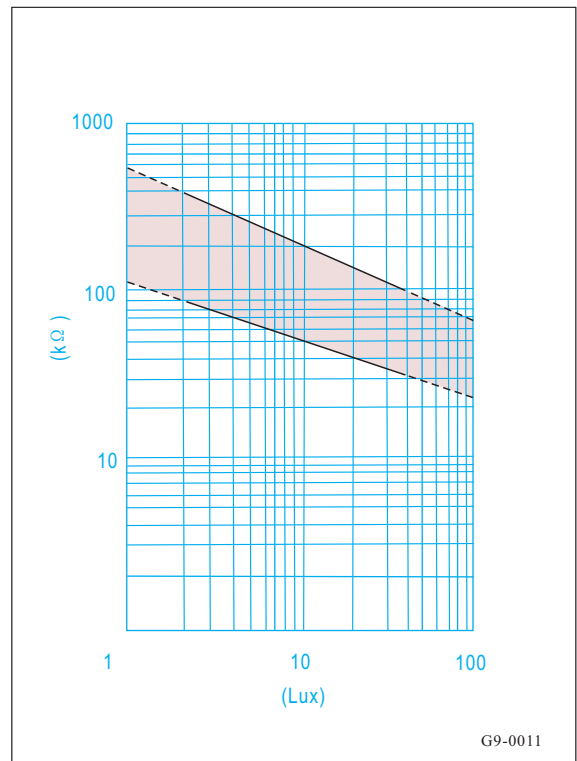
Electrical Characteristics at 25°C

Parameter	Symbol	Value	Unit
Light Resistance at 10Lux	R ₁₀	50 ~ 200	KΩ
Dark Resistance Min.	R _d	5	MΩ
Gamma at (100-10)Lux	γ(100/10)	0.7	
Spectral Peak		560	nm
Rise Time	T _R	20	ms
Decay Time	T _F	30	ms

Package dimensions (Unit:mm)



Illuminance vs Photo Resistance



* Photocells are tested at 10 Lux. Other values shown in the tables are for reference only.

* Specification subject to change without notice