



P7-0003

Color Display Sequence : R - G - B - RG - GB - RB - RBG
 Cycle Time About : 32~48 sec

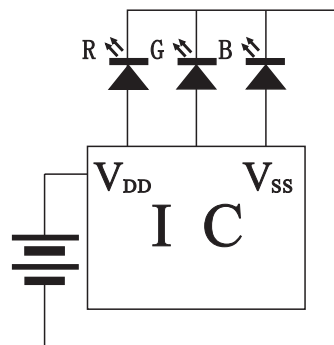
Absolute Maximum Ratings(Ta = 25°C)

Parameter	Value	Unit
Operate Voltage	2.0~5.5	V
Dominant Wavelength	R	625 nm
	G	520 nm
	B	465 nm
Operation Temperature	-30 ~ 85	°C
Storage Temperature	-30 ~ 85	°C

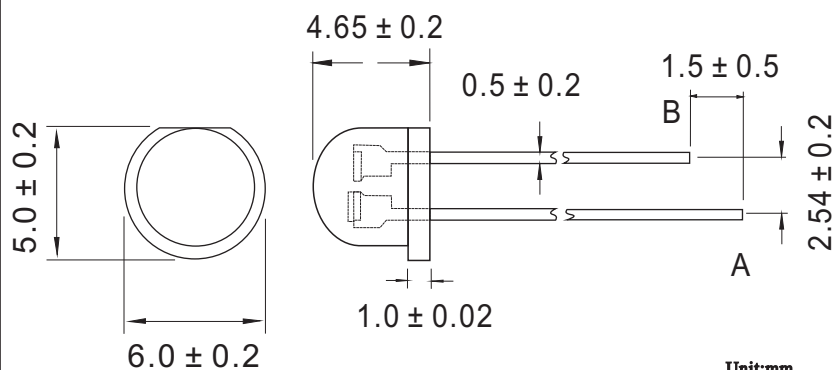
Electrical Characteristics at 25°C

Parameter	Symbol	Conditions	Typ	Unit
Power Consumption	P _O	V _{DD} =4.5V	225	mW
Reverse Current	I _R	V _{DS} =1.2V	≤150	uA
Peak Forward Current	I _{PF}	V _{DD} =4.5V	≤145	mA
Continuous Forward Current	I _F	V _{DD} =4.5V	85	mA
Luminous Intensity	I _v	R	120	mcd
		G	600	mcd
		B	250	mcd
Viewing Angle	Δθ°		120	deg
Flash Frequency	F	V _F =4.5V	0.2	Hz

Application Diagram



Dimensions



D7-0003

Unit:mm
 A:Anode
 B:Cathode