



P7-0006

Color Display Sequence : R - G - B  
 Cycle Time About : 32~48 sec

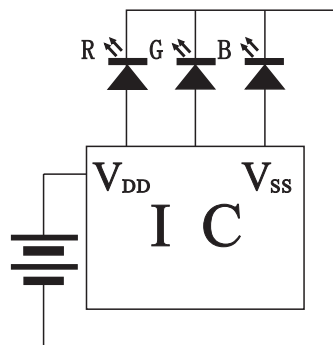
### Absolute Maximum Ratings(Ta = 25°C)

Parameter	Value	Unit		
Operate Voltage	2.0~5.5	V		
Dominant Wavelength	$\lambda_P$	R	620	nm
		G	515	nm
		B	460	nm
Operation Temperature	-30 ~ 85	°C		
Storage Temperature	-30 ~ 85	°C		

### Electrical Characteristics at 25°C

Parameter	Symbol	Conditions	Typ	Unit	
Power Consumption	P <sub>O</sub>	V <sub>DD</sub> =4.5V	225	mW	
Reverse Current	I <sub>R</sub>	V <sub>R</sub> =1.2	150	mA	
Peak Forward Current	I <sub>PF</sub>	V <sub>DD</sub> =4.5V	85	mA	
Continuous Forward Current	I <sub>F</sub>	V <sub>DD</sub> =4.5V	25~35	mA	
Luminous Intensity	I <sub>v</sub>	V <sub>DD</sub> =4.5V I <sub>F</sub> =20mA	R	1000	mcd
			G	4000	mcd
			B	2000	mcd
Viewing Angle	$\Delta\theta^\circ$		-	deg	
Flash Frequency	F	V <sub>F</sub> =4.5V	2.3	Hz	

### Application Diagram



### Dimensions

